



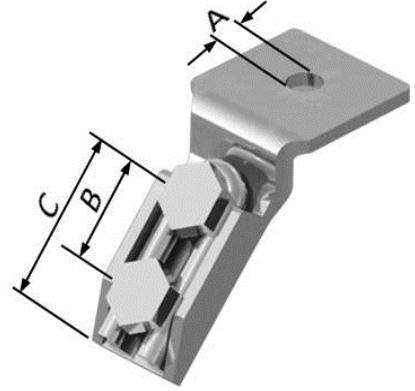
THE VMC GROUP SB-125 BRACKET

Size Range: SB-125 bracket accommodates all overhead or wall bracing of suspended pipe, duct or equipment when positively attached to building structures in accordance with listed loads in tables below.

Material: Carbon Steel, ASTM A36, GB Q235B Grade B

Function: Multiple seismic bracing applications of component to building's structural steel including pipe, conduit, duct and equipment.

Features: Seismic bracing system utilizes standard 1-5/8" strut (B22TH or equiv.) used with SB-125's. Design incorporates universal direct attachment to all components including equipment, pipe, duct and conduit.



Installation: Use SB-125's with standard 1-5/8" strut, ASTM A-307 Grade A bolt, and standard washer when directly attaching to building structure.

To Install: SB-125's affixes to structure with single 1/2"-13UNC ASTM A-307 Grade A bolt for size -01 (and -03), and 5/8"-11UNC ASTM A-307 Grade A bolt for size -02 (and -04), both with a standard washer and nut. Strut attachment to SB-125's utilizes two provided 1/2" diameter ASTM A-307 Grade A bolt, washer, and nut per brace thru pre-drilled holes in strut.

Certifications: FM Approvals

Part number	Dimensions			Maximum design load		Approx. Weight (lb.)
	A	B	C	30°-44°	45°-60°	
154A-100794-01	9/16"	1-7/8"	2-5/8"	2280	3890	0.75
154A-100794-02	11/16"	1-7/8"	2-5/8"	2280	3890	0.75
154A-100794-03	9/16"	1-7/8"	2-5/8"	890	1350	0.75
154A-100794-04	11/16"	1-7/8"	2-5/8"	940	1110	0.75

The VMC Group's seismic bracing components are designed to be compatible only with other The VMC Group bracing components, resulting in a listed seismic bracing assembly. The VMC Groups warranty for seismic bracing components will be the warranty provided in The VMC Group's standard terms and conditions of sale made available by The VMC Group, except that, in addition to the other exclusions from The VMC Group 's warranty, The VMC Group makes no warranty relating to The VMC Group's seismic bracing components that are combined with products not provided by The VMC Group.

